



150W Ku-Band Compact Outdoor 1:1 Redundant System

DESCRIPTION

Teledyne Paradise Datacom's Outdoor series of redundant amplifier systems provide the highest degree of earth station redundancy and reliability. Based on Teledyne Paradise Datacom's family of rugged and robust SSPAs, these systems provide the highest MTBFs possible.

These systems can be configured in either 1:1 or 1:2 redundant configurations using any of the Teledyne Paradise Datacom family of Outdoor SSPAs. The RCP2-1100/1200 Redundant Controller provides an extremely user-friendly interface for complete monitor and control of the high power amplifiers in either 1:1 or 1:2 configurations.

The RCP front panel mimic display shows the on-line amplifiers and the current switch positions. Dedicated fault lights provide easy indication of system status. All RCP2-1X00 monitor and control is available locally, at the front panel LCD display, as well as remotely by the RS-232 or RS-485 interface ports.

FEATURES

- System Output Power to:
1000W S-Band;
800W C-Band;
800W X-Band;
400W Ku-Band
- Universal Input, Power Factor Corrected Power Supply
- Output Power Monitoring
- Separate 1RU Redundant Controller or Controller-less configurations

OPTIONS

- System Output Power Monitor
- Reflected Power Alarm
- L-Band Input Operation
- Cold Standby Amplifier Operation
- Custom Configurations



High Power Outdoor Output Power Levels

S-Band:	500W - 1000W
C-Band:	400W - 800W
X-Band:	350W - 800W
Ku-Band:	200W - 500W

Compact Outdoor Output Power Levels

S-Band:	50W - 500W
C-Band:	30W - 400W
X-Band:	25W - 400W
Ku-Band:	10W - 250W

System Output Power Capacity

Due to residual losses inherent in redundant system configurations (waveguide bends; switch and coupler losses), reduce the typical output power specification of a single amplifier by approximately 0.2 dB for 1:1 and by 0.4 dB for 1:2 systems.

For example, a single thread 100W Ku-Band Compact Outdoor SSPA has a typical saturated output power of 50.0 dB (100W).

Placing two of the above amplifiers in a 1:1 redundant system configuration would reduce the typical system saturated output by 0.2 dB to 49.8 dB (96W).

Placing three of the above amplifiers in a 1:2 redundant system configuration would reduce the typical system saturated output by 0.4 dB to 49.6 dB (91W).

Actual system losses will vary based on the system options.

General Specifications

PARAMETER	NOTES	LIMITS	UNITS
Gain	minimum	70	dB
Gain Flatness	full band (all except Extended C-Band)	± 1.0	dB
	Extended C-Band units	± 1.5	dB
Gain Slope	per 40 MHz (C-, X-, Ku-Bands)	± 0.3	dB/40 MHz
	per 10 MHz (S-Band)	± 0.2	dB/10 MHz
Gain Variation vs. Temperature	-40 to +60°C	± 1.0	dB
Gain Stability	at constant temperature	± 0.25	dB/24 hours
Gain Adjustment	0.1 dB resolution	20	dB
Intermodulation Distortion	3 dB back off relative to P _{1dB}	-25	dBc
AM/PM Conversion	(@ rated P _{1dB})	3.5	°/dB
	(@P _{1dB} - 3 dB)	1.0	°/dB
Spurious	(@ rated P _{1dB})	-65	dBc
Harmonics	(@ rated P _{1dB} - 3 dB) (C-,X-,Ku-bands)	-50	dBc
	(@ rated P _{1dB} - 3 dB) (S-band)	-30	dBc
Input/Output VSWR	(Extended C-Band with 1.3:1 VSWR option)	1.50:1 1.30:1	
Noise Figure	at maximum gain (C-,X-,Ku-bands)	10	dB
	at maximum gain (S-band)	8	dB
Group Delay	Linear	0.01	ns/MHz
(per 40 MHz segment)	Parabolic	0.003	ns/MHz ²
	Ripple	1.0	ns p-p
Transmit Band Noise	TX Band	-75	dBW/4 KHz
Output Power Density	RX Band (C- or Ku-bands)	-150	dBW/4 KHz
	RX Band (X-Band)	-100	dBW/4 KHz
	RX Band (S-Band)	See options	
Receive Band Noise	S-Band, with optional filter	-155	dBW/4 KHz
Output Power Density	S-Band, without optional filter	-95	dBW/4 KHz
Residual AM Noise	0 - 10 KHz	-45	dBc
	10 KHz - 500 KHz	-20 (1.25 + log F)	dBc
	500 KHz - 1 MHz	-80	dBc
Phase Noise	Offset frequency from carrier		
	10 Hz	-90	dBc/Hz
	100 Hz	-100	dBc/Hz
	1 KHz	-110	dBc/Hz
	10 KHz	-120	dBc/Hz
	100 KHz	-125	dBc/Hz
	1 MHz	-130	dBc/Hz

Environmental

Operating Temperature	Ambient	-40 to +60	°C
Relative Humidity	condensing	100	%
Cooling System	Integrated	Forced air	

Mechanical

Size, High Power Outdoor, single	width X length X height	16.5 X 27.5 X 9.335 419 X 699 X 238	inches mm
Size, Compact Outdoor, single	width X length X height	10.0 X 19.5 X 6.50 254 X 495 X 165	inches mm
Weight, High Power Outdoor, single		100 (45.5)	lbs. (kg)
Weight, Compact Outdoor, single	Base unit (<200W S/C-bands; <100W Ku)	36 (16.4) ± 3%	lbs. (kg)
	Base unit (≥200W S/C-bands; ≥100W Ku)	44 (20.0) ± 3%	lbs. (kg)
	Base unit (<200W X-Band)	46.7 (21.1) ± 3%	lbs. (kg)
	Base unit (≥200W X-Band)	54.9 (25.0) ± 3%	lbs. (kg)
	With Internal zBUC	+1.7 (0.8)	lbs. (kg)
Finish		Paint	White; powder coat

L-Band Operation

Teledyne Paradise Datacom amplifiers are available with an integrated L-Band Block Up Converter. L-Band units utilize Teledyne Paradise Datacom's proprietary zBUC technology. The addition of a zBUC[®] converter to the SSPA typically increases the gain by 2-4 dB. The advantages of zBUC technology include:

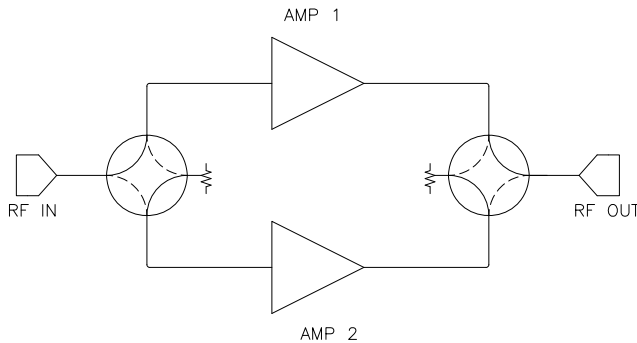
- zBUC converter can detect and switch to an externally supplied reference.
- Optional internal high stability (10MHz) reference.
- zBUC converter can lock to an externally supplied reference of 5, 10, 20, 25, or 50 MHz without modification.
- zBUC converter can accept a wide range of external reference power (-10 to +5 dBm)
- zBUC converter can accept FSK monitor and control signal via the IFL for complete amplifier remote control.

Available Frequency Plans

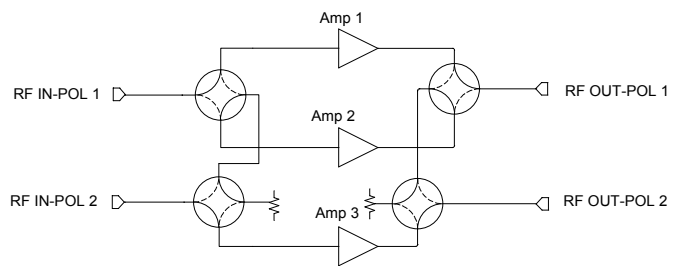
Band	Frequency Band	IF Input	LO Frequency	RF Output	Gain Change
C	Standard C-Band	950 - 1525 MHz	4.900 GHz	5.850 - 6.425 GHz	0-4 dB
C	Extended C-Band	950 - 1825 MHz	4.900 GHz	5.850 - 6.725 GHz	0-4 dB
C	Palapa Band	950 - 1250 MHz	5.475 GHz	6.425 - 6.725 GHz	0-4 dB
C	Insat Band	950 - 1250 MHz	5.775 GHz	6.725 - 7.025 GHz	0-4 dB
C	Extended C-Band 2	950 - 1675 MHz	4.800 GHz	5.750 - 6.475 GHz	0-4 dB
C	Low C-Band	840 - 1000 MHz	4.250 GHz	5.090 - 5.250 GHz	0-4 dB
X	Standard X-Band	950 - 1450 MHz	6.950 GHz	7.900 - 8.400 GHz	0-2 dB
Ku	Standard Ku-Band	950 - 1450 MHz	13.050 GHz	14.00 - 14.50 GHz	0-2 dB
Ku	Extended Ku-Band	950 - 1700 MHz	12.800 GHz	13.75 - 14.50 GHz	0-2 dB

Electrical Specifications for Outdoor SSPA with ZBUC converter

PARAMETER	NOTES	LIMITS				UNITS
Gain	Nominal setting	75				dB
Gain Flatness	full band (C-,X-,Ku-bands)	± 2.0				dB
Gain Slope	per 40 MHz (C-,X-,Ku-bands)	± 0.5				dB/40 MHz
Gain Adjusted Range		20				dB
	Typical C-Band Adj. Range	60 - 80				dB
	Typical Ku-Band Adj. Range	57 - 77				dB
Gain Stability	-40 to +60 °C	±1.5				dB
Phase Noise	Offset frequency from carrier	<u>Absolute max.</u>	<u>C-band (typ.)</u>	<u>X-band (typ.)</u>	<u>Ku-band (typ.)</u>	
	10 Hz	-30	-60	-60	-50	dBc/Hz
	100 Hz	-60	-80	-75	-65	dBc/Hz
	1 KHz	-70	-80	-75	-72	dBc/Hz
	10 KHz	-80	-85	-100	-90	dBc/Hz
	100 KHz	-90	-120	-110	-110	dBc/Hz
	1 MHz	-90	-125	-122	-120	dBc/Hz
Spurious	In-Band Signal Related (C-/Ku-Band)					dBc
	(Extended C-Band)					dBc
	Close to Carrier Spurious (≤ 20 MHz)					dBc
	Local Oscillator					dBm
Noise Figure	At 75 dB gain setting	20				dB
Input VSWR	L-Band	1.5 : 1				
Internal Reference Option	Aging per day (after 30 days)	± 1 • 10 ⁻⁹				
	Aging per year (after 30 days)	± 6 • 10 ⁻⁸				
	Reference Stability over Temperature (-20 to +85 °C)	± 3 • 10 ⁻⁸				

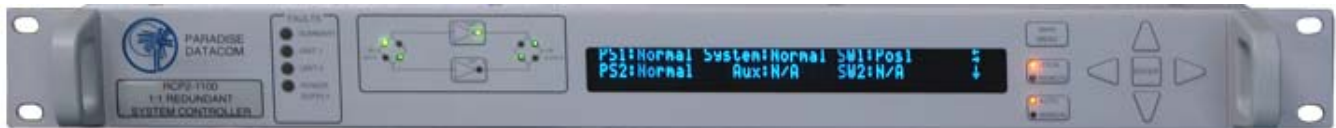


1:1 Redundant HPA System

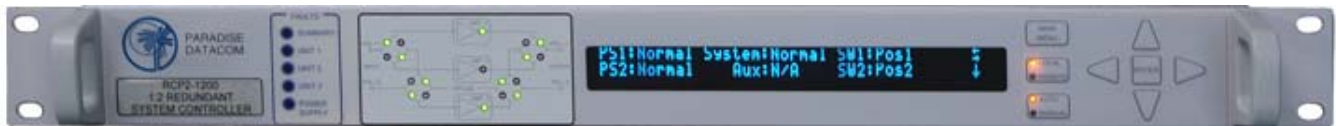


1:2 Redundant HPA System

Teledyne Paradise Datacom's Outdoor Packaged Redundant Systems are designed with built-in redundancy for 1:1 systems. All system-level monitor and control is internal and no separate controller is required, although an optional RCP2-1100 1:1 Redundant System Controller is available. Either Ethernet or RS-485 communications are selectable for user monitor and control. All 1:2 redundant systems require a separate RCP2-1200 Redundant System Controller.



RCP2-1100 1:1 Redundant System Controller

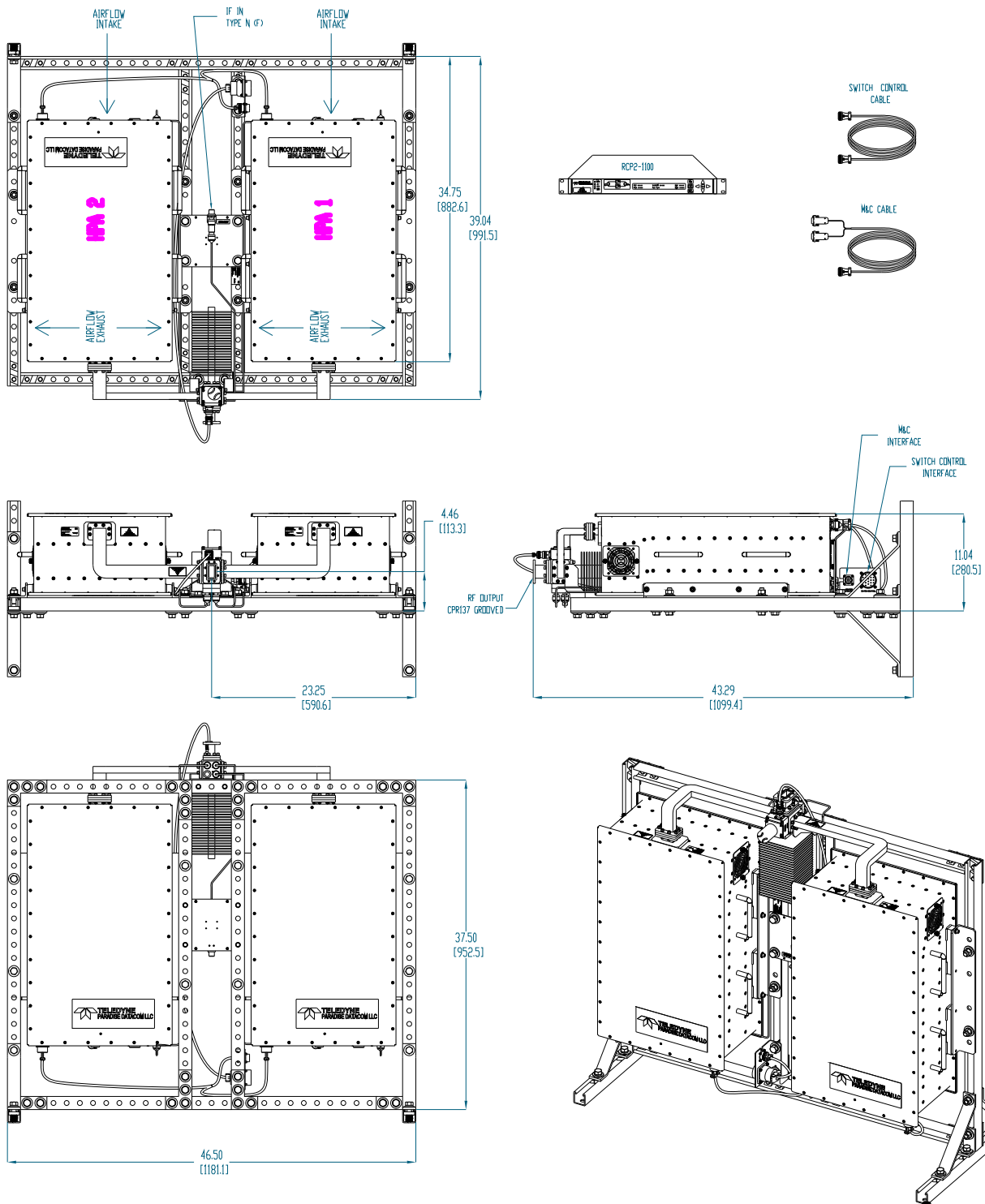


RCP2-1200 1:2 Redundant System Controller

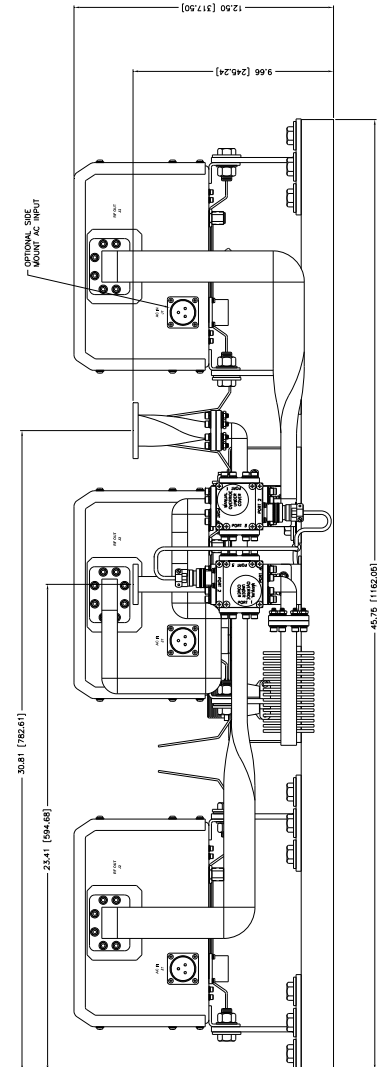
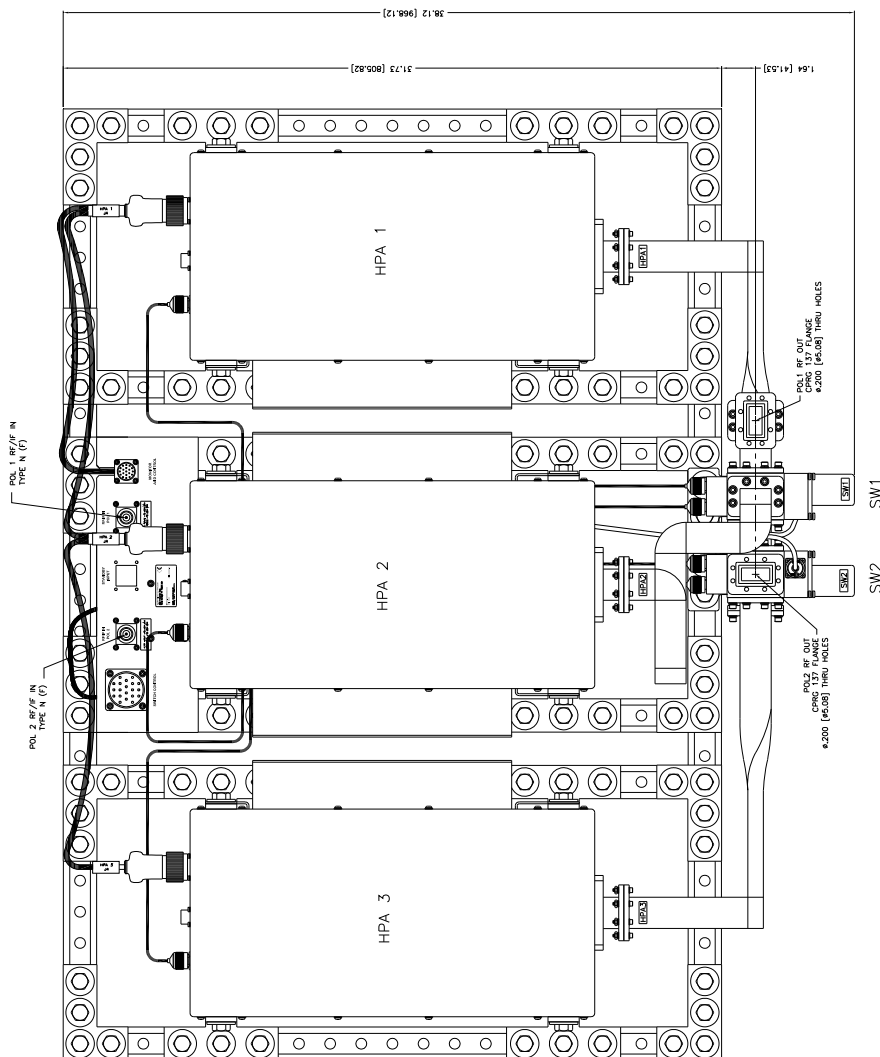
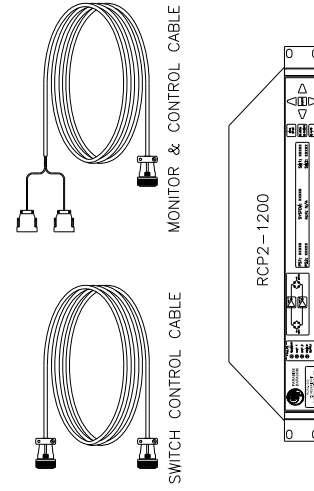
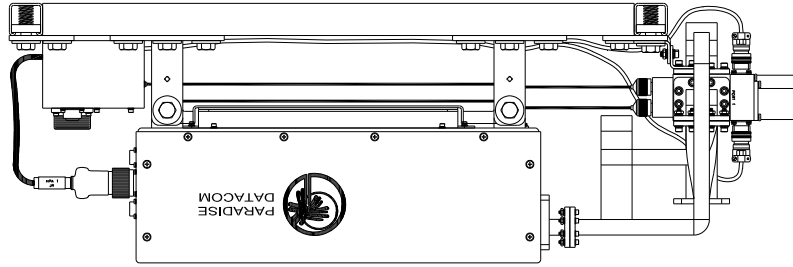
The RCP2-1200 1:2 Redundant System Controller is the heart of the 1:2 redundant system. It provides an extremely user friendly interface for complete monitor and control of the high power amplifiers. The front panel mimic display shows the on-line amplifiers and the current switch positions. Dedicated fault lights are provided for easy indication of system status.

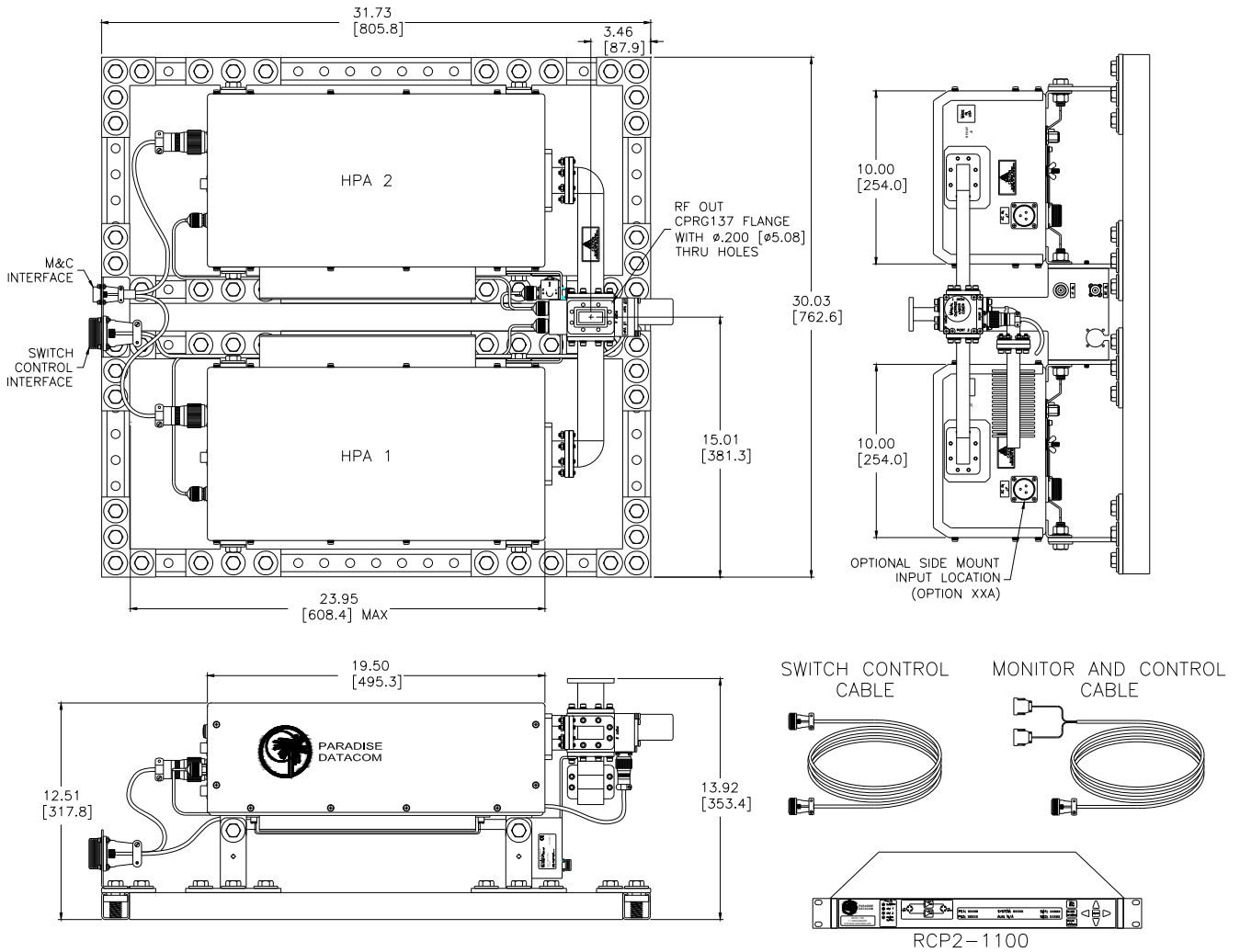
All Redundant System Controller monitor and control is available locally, at the front panel LCD display, as well as remotely by the RS-232, RS-485 or Ethernet interface ports. Audible alarms and a full compliment of parallel I/O signal are available at the rear panel.

Outline Drawing, 1:1 Ku-Band High Power Outdoor SSPA System with RCP2-1100



Outline Drawing, 1:2 C-Band Compact Outdoor SSPA System with RCP2-1200





Outline Drawing, 1:1 C-Band Compact Outdoor SSPA System with RCP2-1100

Part Number Configuration Matrix, GaAs High Power Outdoor Systems

HPA **C 2 4 0 0 A H M B S X X**

Band	
C-Band	C
X-Band	X
Ku-Band	K

Generation	
Second	2

Power Level (Watts)	
C-Band	400, 500, 600
X-Band	350, 500
Ku-Band	200, 250

Frequency Sub Band	
C-Band	
A¹	5.850 to 6.425 GHz
B¹	5.850 to 6.725 GHz
C	5.750 to 6.670 GHz
E¹	6.425 to 6.725 GHz
F¹	6.725 to 7.025 GHz
G	5.750 to 6.475 GHz
H	5.715 to 5.790 GHz
J	5.740 to 6.650 GHz
X-Band	
A¹	7.90 to 8.40 GHz
D	7.70 to 8.40 GHz
Ku-Band	
A¹	14.00 to 14.50 GHz
B¹	13.75 to 14.50 GHz
F¹	12.75 to 13.25 GHz

¹ Available with optional BUC

Package	
H	High Power Outdoor SSPA

Configuration Modifier 3	
X	None (Standard)

Configuration Modifier 2	
X	Standard
R¹	Receive Band Reject Filter
V	Reflected Power Monitor
Y¹	R + V (see above)

¹ X-Band units only

Configuration Modifier 1	
X	Standard
S	Input Sample Port

System Configuration	
A¹	1:1 System, Input Switching, Internal control
B	1:1 System, Input Splitter, Internal control
C¹	1:2 System, Input Switching, RCP2-1200 ²
F	1:1 System, Input Splitter, RCP2-1100 ²
H¹	1:1 System, Input Switching, RCP2-1100 ²

¹ Input switching with an external reference BUC requires a reference distribution box.

² Standard cable length of 100 ft. (30m) with RCP unit.

Block Up Converter	
M	Internal Reference BUC
P	External Reference BUC
X	No BUC

Example - A 1:1 Redundant System with Input Splitting and Internal Redundancy Control, using two (2) 400W GaAs C-Band High Power Outdoor SSPAs with optional input sample ports and optional internal reference block up converters is part number: **HPAC2400AHMBSXX**.

Part Number Configuration Matrix, GaN High Power Outdoor Systems

HPA **C 2 8 0 0 A H M B X X X G**

Band	
S-Band	S
C-Band	C
X-Band	X
Ku-Band	K

Generation	
Second	2

Power Level (Watts)	
S-Band	600, 800, 1000 (10K)
C-Band	650, 800
X-Band	650, 800
Ku-Band	300, 400, 500

Frequency Sub Band	
S-Band	
A	2.02 to 2.12 GHz
B	2.20 to 2.30 GHz
G	1.75 to 2.12 GHz
C-Band	
A ¹	5.850 to 6.425 GHz
B ¹	5.850 to 6.725 GHz
C	5.750 to 6.670 GHz
D ¹	6.425 to 7.025 GHz
H	5.715 to 5.790 GHz
L	4.400 to 5.000 GHz
X-Band	
A ¹	7.90 to 8.40 GHz
D	7.70 to 8.40 GHz
F	7.10 to 7.40 GHz
Ku-Band	
A ¹	14.00 to 14.50 GHz
B ¹	13.75 to 14.50 GHz
C ¹	14.50 to 14.70 GHz
D ¹	15.10 to 15.40 GHz
F ¹	12.75 to 13.25 GHz
G ¹	14.75 to 15.25 GHz

¹ Available with optional BUC

GaN Device Designator	
G	GaN Technology

Configuration Modifier 3	
X	None (Standard)

Configuration Modifier 2	
X	Standard
R ¹	Receive Band Reject Filter
V	Reflected Power Monitor
Y ¹	R + V (see above)

¹ S-Band and X-Band units only

Configuration Modifier 1	
X	Standard
S	Input Sample Port

System Configuration	
A ¹	1:1 System, Input Switching, Internal control
B	1:1 System, Input Splitter, Internal control
C ¹	1:2 System, Input Switching, RCP2-1200 ²
F	1:1 System, Input Splitter, RCP2-1100 ²
H ¹	1:1 System, Input Switching, RCP2-1100 ²

¹ Input switching with an external reference BUC requires a reference distribution box.

² Standard cable length of 100 ft. (30m) with RCP unit.

Block Up Converter	
M	Internal Reference BUC
P	External Reference BUC
X	No BUC

Package	
H	High Power Outdoor SSPA

Example — A 800W GaN C-Band (5.85 to 6.425 GHz) 1:1 Redundant High Power Outdoor SSPA System with input splitting, an internal reference block up converter and internal redundancy control is model number: **HPAC2800AHMBXXXG**.

Part Number Configuration Matrix, GaAs Compact Outdoor Systems

HPA **K 2 0 7 0 A C M B X X X**

Band	
C-Band	C
X-Band	X
Ku-Band	K

Generation	
Second	2

Power Level (Watts)	
C-Band	030, 040, 050, 075, 100, 140, 200, 250, 300
X-Band	025, 030, 060, 075, 100, 140, 200, 250
Ku-Band	010, 020, 025, 035, 040, 050, 070, 100, 125

Frequency Sub Band	
C-Band	
A ¹	5.850 to 6.425 GHz
B ¹	5.850 to 6.725 GHz
C	5.750 to 6.670 GHz
E ¹	6.425 to 6.725 GHz
F ¹	6.725 to 7.025 GHz
G	5.750 to 6.475 GHz
H	5.715 to 5.790 GHz
J	5.740 to 6.650 GHz
V ^{1,2}	5.850 to 6.725 GHz
X-Band	
A ¹	7.90 to 8.40 GHz
B	7.50 to 8.50 GHz
D	7.70 to 8.40 GHz
Ku-Band	
A ¹	14.00 to 14.50 GHz
B ¹	13.75 to 14.50 GHz

¹ Available with optional BUC

² With 1.3:1 VSWR

Package	
C	Compact Outdoor SSPA

Configuration Modifier 3	
X	None (Standard)
A	Side-mount AC Input, Location 'A'
D	48 VDC Input
F	Side-mount 48 VDC Input, Location 'A'

Configuration Modifier 2	
X	Standard
M	MS-Connector Covers
R ¹	Receive Band Reject Filter
S	M + R (see above)

¹ X-Band units only

Configuration Modifier 1	
X	Standard
K	110 VAC Input

¹ Available in C- and X-Band models ≥ 140W and Ku-Band models ≥ 100W

System Configuration	
A ¹	1:1 System, Input Switching, Internal control
B	1:1 System, Input Splitter, Internal control
C ¹	1:2 System, Input Switching, RCP2-1200 ²
F	1:1 System, Input Splitter, RCP2-1100 ²
H ¹	1:1 System, Input Switching, RCP2-1100 ²

¹ Input switching with an external reference BUC requires a reference distribution box.

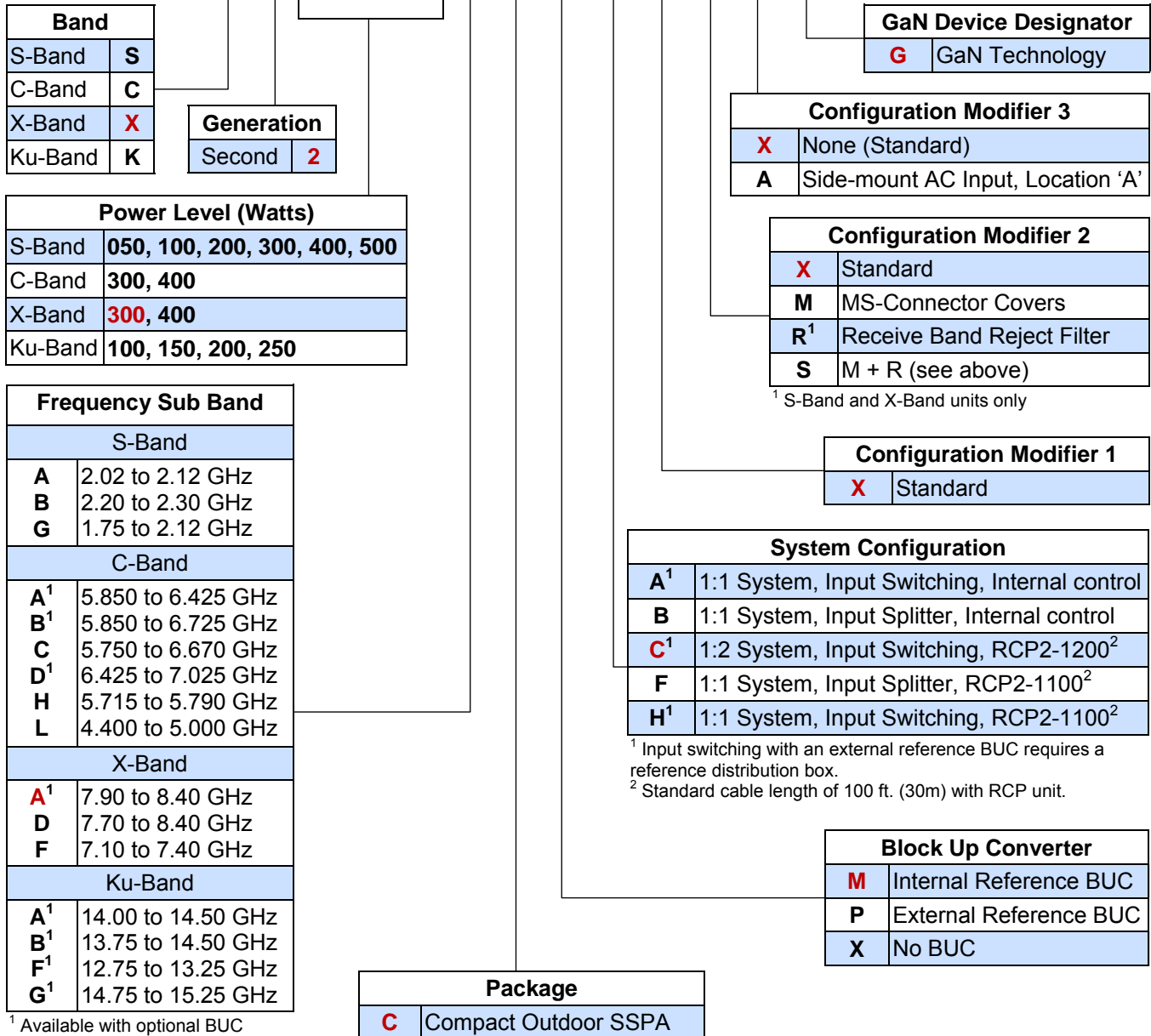
² Standard cable length of 100 ft. (30m) with RCP unit.

Block Up Converter	
M	Internal Reference BUC
P	External Reference BUC
X	No BUC

Example — A 70W GaAs Ku-Band (14.0 to 14.5 GHz) 1:1 Redundant Compact Outdoor SSPA System with input splitting, an internal reference block up converter, and internal redundancy control is model number: **HPAK2070ACMBXXX**.

Part Number Configuration Matrix, GaN Compact Outdoor Systems

HPA **X 2 3 0 0 A C M C X X X G**



¹ Available with optional BUC

Example — A 300W GaN X-Band (7.9 to 8.4 GHz) 1:2 Redundant Compact Outdoor SSPA System with input switching, an internal reference block up converter, and redundancy control with a RCP2-1200 controller is model number: **HPAX2300ACMCXXG**.

Use and Disclosure of Data

The information contained herein is classified as EAR99 under the U.S. Export Administration Regulations. Export, re-export or diversion contrary to U.S. law is prohibited.

Specifications are subject to change without notice.